



*Clearing The Airway Is Our #1 Priority*

## Operating Instructions & Maintenance Manual

# SSCOR S-SCORT II

Model 15006



**SSCOR, INC.**

11064 Randall Street  
Sun Valley, CA 91352 USA

www.sscor.com  
shop.sscor.com  
Email: [marketing@sscor.com](mailto:marketing@sscor.com)  
[techsupport@sscor.com](mailto:techsupport@sscor.com)

Tel 1+818-504-4054

Tel 1+800-434-5211





*Clearing The Airway Is Our #1 Priority*

## Caution-Notice

Revision I (02/17)

1. SSCOR suction units are not designed or intended for use in extended procedures that require prolonged high vacuum/low airflow applications, as is the case in wound drainage or endoscopic use or in any other procedure that produces high vacuum levels within an occluded system for an extended period of time. Turn the suction unit off when it is not in use.
2. Federal law restricts this device to sale, distribution, and use by, or on the order of a physician, emergency medical technician, or other medical practitioner. For use by medical personnel trained in suctioning techniques and in the use of medical suction equipment.
3. This manual is restricted to the discussion of the use and maintenance of this device. It does not attempt to discuss professional techniques in suctioning procedures.
4. Operator should be thoroughly familiar with these operating instructions before this device is used.
5. Do not use in the presence of flammable agents or anesthetics.
6. The S-SCORT II produces a powerful vacuum. Do not use the S-SCORT II to suction neonates.
7. This S-SCORT II Model 15006 has no batteries included and SSCOR assumes the purchaser will use and maintain the same batteries and battery procedures on the Model 15006 which are used on the LIFEPAK® defibrillator / monitor. **THE DC POWER CORD (INCLUDED WITH THE UNIT) WILL NOT CHARGE THE LIFEPAK® DEFIBRILLATOR MONITOR BATTERIES.** SSCOR assumes no responsibility for the performance of the LIFEPAK® defibrillator / monitor batteries.
8. Before testing for vacuum over -300mmHg look for an expiration date on the canister (where applicable) and change the canister if the canister has passed the expiration date to minimize the possibility of implosion, which can occur when a canister is aged or damaged.
9. The shut-off valve in the canister lid will close down when the canister is full.

**NOTE: DO NOT ATTEMPT TO CHANGE THE ELECTRICAL SYSTEM.  
THIS UNIT OPERATES ON 12-14V DC ONLY  
DO NOT CONNECT DIRECTLY TO 115V AC**

S-SCORT II Model 15006

Battery Operated Portable Suction Pump

To be used with batteries for the LIFEPAK® Defibrillator / Monitor

©2015 S-SCORT, HI-D and Big Stick are registered trademarks of SSCOR, Inc.

LIFEPAK is a registered trademark of Medtronic Inc.



*Clearing The Airway Is Our #1 Priority*

## Table of Contents

---

Caution-Notice	Page 2
General Description	Page 3
Getting Acquainted	Pages 4-5
Troubleshooting	Page 6
Warranty	Page 7
Maintenance	Pages 7-8
General Specifications	Page 9
Battery Installation and Removal	Page 10

## General Description

---

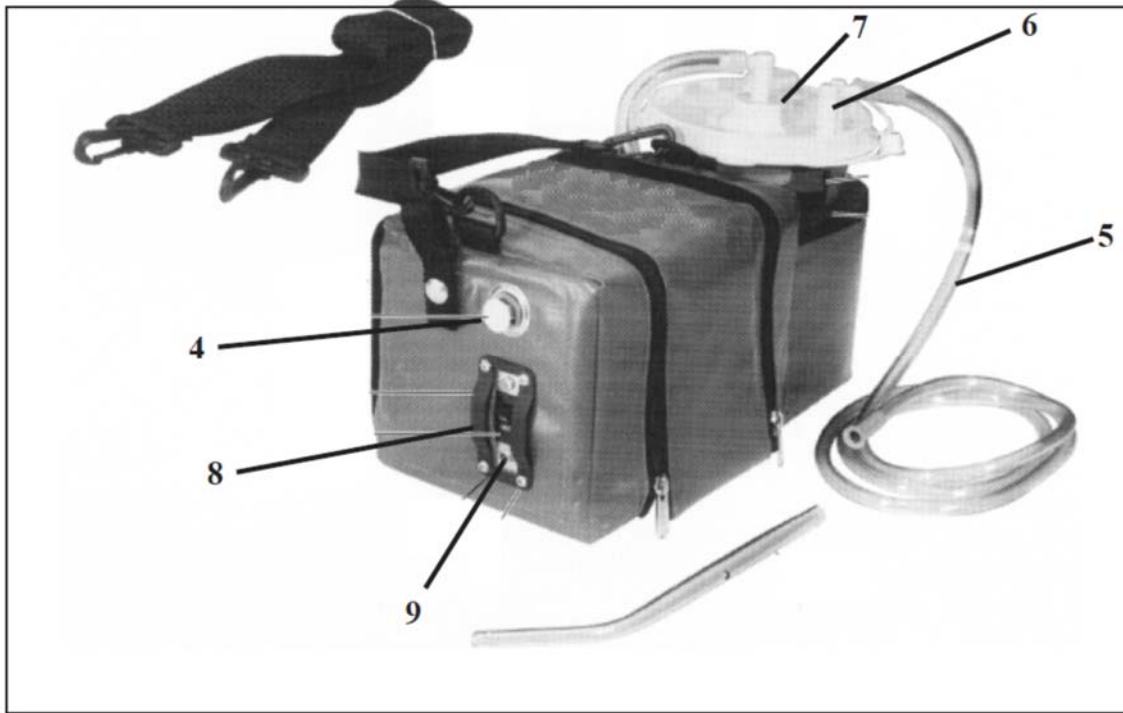
The S-SCORT® II is a portable, 12V DC battery operated suction pump to be used by professional personnel trained in Emergency Care techniques for opening the airway by removing bodily fluids and particulate matter.

The Model 15006 is powered by a battery for the LIFEPAK® defibrillator / monitor capable of driving the unit for 15 - 20 minutes at full power when the battery is fully charged. A receptacle for a spare battery is conveniently located next to the active battery for easy replacement when more suctioning time is needed. The unit does not have batteries included when it is shipped by SSCOR, Inc. SSCOR does not sell replacement batteries.

The S-SCORT II is designed to provide instant, effective suctioning, independent of external sources of power and can be pre-set to be activated immediately upon reaching the distressed patient, with no set up time required during the first few critical minutes of the code. Suction power is controllable for those instances when full power would be considered harmful to the patient. All controls are clearly labeled and easily accessible.

The S-SCORT II is equipped with a disposable collection canister which features a bacterial filter to screen airborne particulates and a mechanical shut-off valve to prevent fluid overflow.

## Getting Acquainted





*Clearing The Airway Is Our #1 Priority*

## Getting Acquainted

---

1. Place two fully charged LIFEPAK® defibrillator/monitor batteries, one in each of the two receptacles (1,2) which are immediately inside the zippered compartment. Side 1 (labeled “ACTIVE”) is integrated into the electrical system. Side 2 (labeled “SPARE”) holds a fresh battery until needed. After approximately 20 minutes running time the active battery will be depleted and the two batteries will have to be exchanged if additional running time is needed. The DC power cord (3) will connect the unit to the vehicle and run the pump with no batteries inserted and/or in parallel with the battery to extend the running time. The DC power cord will not charge the LIFEPAK® defibrillator/monitor batteries. Diodes protect the battery from the vehicle.
2. Negative pressure on the Model 15006 is controlled by a two position regulator (4). When fully depressed (pushed toward the pump), the negative pressure exceeds -525mmHg ( $\pm 15\%$ ). To reduce negative pressure, pull the regulator straight out to the stop. In this position, the negative pressure will be -125mmHg ( $\pm 15\%$ ).
3. Attach the patient connecting tube (5) to the patient port (6) on the canister (7). Use 9/32” I.D. tubing.
4. Turn the On/Off switch (8) to the On position.
5. Occlude the end of the patient connecting tube and keep it occluded for 10 seconds. Release the occlusion and observe evidence of negative pressure. If the pump is running and no negative pressure is observed, check to be sure the lid on the disposable canister is tight and vacuum connections are secure.
6. Dispose of the canister and disposables after use according to local / regional / national requirements for the disposal of hazardous waste.

**CAUTION:** Always turn the pump switch to “Off” as soon as possible after the procedure. Rechargeable batteries will short out if they continue to discharge after they have reached the point where they do not have sufficient power to drive the pump. Be sure the switch is in the “Off” position until needed.

### **Removing the pump from the case for service or to wash the case:**

Remove the retention screw from the white plunger in the regulator (4), snap off the C clip on the regulator and pull the vacuum connecting tube back through the grommet which goes to the canister. Remove the four screws from the switch plate (9) and lift the entire assembly up and out of the case.

### **To Reassemble the pump:**

Slide the entire assembly back into the case so the two position regulator feeds through the brass grommet of the case. Replace the electrical circuitry. Line up the outside electrical switch plate and the interior electrical protection plate with the four screw holes in the fabric. Reinstall the flat protector plate and attach the switch protector plate with four #6-32 screws. Reconnect the electrical to the mating Molex connectors. Thread the vacuum tubing through the brass grommet and connect it to the vacuum port of the canister. Replace the white plunger into the brass regulator, reinsert the retention screw into the stem, replace the C clip on the end of the regulator and on the outside of the case. Replace the foam canister holder and all disposables.



Clearing The Airway Is Our #1 Priority

## Trouble Shooting

PROBLEM	POSSIBLE CAUSE	CORRECTIVE ACTION
Unit does not function when switch is in the "ON" position	<ul style="list-style-type: none"> <li>Molex connections disconnected</li> <li>Battery discharged</li> <li>Battery damaged</li> <li>Poor Vehicle Connection</li> <li>Battery not contacting pins</li> </ul>	<ul style="list-style-type: none"> <li>Reconnect Molex connections</li> <li>Recharge battery per the manufacturers instructions for the LIFEPAK® defibrillator / monitor batteries</li> <li>Replace battery</li> <li>Check output of vehicle</li> <li>Re-seat or replace battery. Check condition of pins.</li> </ul>
Unit does not suction when pump is running	<ul style="list-style-type: none"> <li>Vacuum line loose</li> <li>Canister damaged</li> <li>Canister lid is not tight</li> <li>Thumb vent on suction tip is not occluded</li> </ul>	<ul style="list-style-type: none"> <li>Check connections</li> <li>Replace canister</li> <li>Re-secure canister lid</li> <li>Occlude thumb vent with thumb</li> </ul>
Pump is sluggish	<ul style="list-style-type: none"> <li>Residual materials have collected in the pump head</li> <li>Battery is unable to retain a charge</li> <li>Loose connections</li> </ul>	<ul style="list-style-type: none"> <li>Replace pump</li> <li>Replace battery and recharge battery per the manufacturers instructions for the LIFEPAK® defibrillator / monitor batteries</li> <li>Check connections</li> </ul>
System shuts down while suctioning heavy particulate matter	<ul style="list-style-type: none"> <li>Vacuum line clogged at canister lid</li> <li>Float valve has closed</li> </ul>	<ul style="list-style-type: none"> <li>Remove connector or canister lid and loosen obstruction</li> <li>Loosen float valve, empty contents, or replace canister</li> </ul>
Regulator stem is difficult to pull	<ul style="list-style-type: none"> <li>Stem requires lubrication</li> </ul>	<ul style="list-style-type: none"> <li>Lubricate stem with pneumatics lubricant</li> </ul>



*Clearing The Airway Is Our #1 Priority*

## Warranty

---

SSCOR warrants that each new product is free from defects in material and workmanship under normal use and service for a period of one year from date of purchase. If returned to SSCOR, we will arrange for repairs or replacement within the terms of the warranty. The product should be decontaminated and returned properly packaged and postage prepaid. Loss or damage in transit to the factory shall be at the purchaser's risk. Please call 800-434-5211 or international +1 818-504-4054 for return authorization or for the location of an authorized repair center. Loss or damage in return shipment from SSCOR shall be at the purchaser's risk.

The warranty shall not apply to any SSCOR product which has been repaired by anyone other than an authorized SSCOR representative, or altered in any way so as, in SSCOR's judgment, to affect its safety or efficacy, nor which has been subject to misuse, negligence, or accident, nor which has had the serial number altered, effaced or removed. Neither shall this warranty apply to any SSCOR product which has been connected otherwise than in accordance with the instructions furnished by SSCOR.

This warranty is in lieu of all other warranties expressed or implied and of all other obligations or liabilities on SSCOR's part, and SSCOR neither assumes, nor authorizes any representative or other persons to assume for it, any other liability in connection with the sale of SSCOR products.

This warranty gives you specific legal rights and you may also have other rights that vary from jurisdiction to jurisdiction. For countries where minimum warranty terms are determined by statute, the warranty term is the longer of the statutory period or the term listed above.

Batteries, disposable items including collection canisters, patient tubing and catheters are excluded from this warranty.

## Maintenance

---

Preventive Care: Observe the following maintenance routine to ensure readiness at any time:

1. Test the SSCOR aspirator at regular intervals; See page 5.
2. Make sure the SSCOR aspirator is always clean and ready for use.
3. If the procedure produced an excessive quantity of fluids, check the vacuum line (1) for evidence of moisture. If the vacuum line between the pump and canister is moist, it is possible that fluids have reached the vacuum pump. See Disinfection Instructions (page 10).
4. If the vacuum pump appears defective, return the unit to the factory for repair. Do not attempt to repair the vacuum pump.
5. For technical assistance, call (800) 434-5211 or international +1 (818) 504-4054. For replacement parts and accessories, please visit [shop.sscor.com](http://shop.sscor.com).





Clearing The Airway Is Our #1 Priority

## Maintenance

As soon as possible after use, the single use disposable canister, patient tubing and catheter should be discarded according to local / regional / national requirements for the disposal of hazardous waste materials. Clean the exterior of the SSCOR suction unit using a mild detergent and clear water by dampening a clean lint free cloth. Rinse using clear water and another damp clean lint free cloth to remove any detergent residue.

NOTE: The hydrophobic filter in the canister helps to ensure that no moisture or particulate matter reaches the inside of the device. When fluids fill the canister, the positive (mechanical float) shutoff valve closes immediately, shutting the vacuum port off so as to prevent fluid from contacting the pump. The filter has been tested by the manufacturer (Bemis) to screen out aerosolized microorganisms and particulate matter at a bacterial efficiency rating of 99.99% DOP. The canister also has sidewall gradation marks starting at 100 ml/cc and at every 50 ml/cc up to 1200 ml/cc indicating the fill level of the canister.

In the unlikely event that fluids may have reached the vacuum pump, read the disinfection section. Your engineering department will have to open the unit to check the condition of the pump.

Do not reuse any single use disposable parts; do not submerge the device into any liquid, this will void the warranty and cause the device to malfunction.

## Disinfection

Use personal protective equipment such as gloves, a smock, and face and eye protection when handling units that are suspected to be contaminated.

Part	Cleaning and Disinfecting
Collection Canister	Disposable item, re-use not permitted. Use new canister for each patient.
Patient Tubing	Disposable item, re-use not permitted. Use new patient tubing for each patient.
HI-D® Stick	Disposable item, re-use not permitted. Use new HI-D Stick for each patient.
Vacuum Pump	Wipe with damp cloth or disinfectant wipe. Sterilization not permitted. Vacuum pump should be replaced if contaminated
Chassis	Wipe with damp cloth or disinfectant wipe. Sterilization not permitted.

Caution: Disconnect the unit from any power source prior to cleaning the unit.

Disinfect the unit using a mild surface disinfectant, such as a 10:1 mixture of water and bleach. The unit is designed to suction contaminated fluids, which should be removed from the system immediately after use. In the unlikely event that fluids may have reached the vacuum pump, your engineering department will have to open the unit to check the condition of the pump. When cleaning the interior of the chassis, disconnect the battery from the wiring harness. The only foreseeable way fluids may reach the vacuum pump is the filter in the canister has been compromised or bypassed.

For technical assistance, call (800) 434-5211 or +1 (818) 504-4054





*Clearing The Airway Is Our #1 Priority*

## General Specifications

---

CHARACTERISTICS	SPECIFICATIONS
Size	14"L x 7"H x 7"W
Weight	10 pounds (batteries included)
Vacuum Pump	12V DC., 3.0 A Clinical Airflow $\geq$ 30LPM Exceeds 525mmHg
Regulator	Controls negative pressure
Power Source:	Batteries for the LIFEPAK <sup>®</sup> defibrillator / monitor and / or direct connection to the vehicle.
Switch	On/Off Rocker
Collection Canister	1200cc/ml SSCOR part #48041
Patient tubing	Vinyl tubing 9/32"ID x 72"L SSCOR part #43200
Suction Tip	HI-D <sup>®</sup> "Big Stick <sup>®</sup> " Large Bore Suction Tip with thumb control. SSCOR part #44241C
Batteries	Not furnished by SSCOR, Inc.



*Clearing The Airway Is Our #1 Priority*

## Replacing the Battery

There are two battery holders, side by side, for the batteries. The active holder contains the electrical connections to the vacuum pump. The spare holder has no electrical connections. Fully charged batteries should be placed in each holder and when the active battery is depleted it should be exchanged with the spare battery.

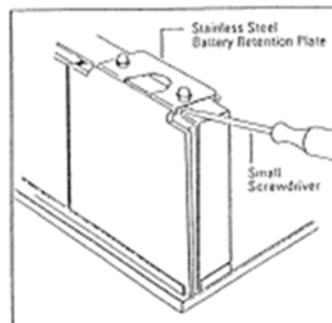
Hold the battery in a vertical position with the electrical receptacles up and facing toward the pump. Place the bottom of the battery into the channel at the bottom of the battery holder and push the top of the battery into the battery holder. An audible “click” will indicate the battery is correctly placed into the battery holder. Test the placement by pulling back on the battery. It should not move until the plastic battery clip is depressed.

For extended running time, such as transport, the S-SCORT® II may be connected to the vehicle for continuous operation. Use the DC power cable (3).



If you experience difficulty removing a battery from the S-SCORT II, please follow these two easy steps.

**Step 1.** Place the blade of a small screwdriver (3/16” width is ideal) under one side of the stainless steel battery retention plate between the acorn nut and the bent edge of the plate. Slightly raise the edge of the plate. If necessary, repeat the procedure on the opposite side of the plate until the battery can be easily removed.



**Step 2.** With the battery removed, adjust both sides of the battery retention plate. Using pliers, slightly raise the bent edges. Adjust the bent edges of the plate so the battery remains secure but can easily be removed.

